



Vinothèque Wine Cellars



(Features and Size May Vary)

User Manual

Model's #: 261 0X 81 0Y

X = 4 (Stainless Steel) or 5 (Full Glass)

Y = 3 (Right Hinge) or 4 (Left Hinge)

PLEASE READ THIS MANUAL CAREFULLY BEFORE INSTALLING AND OPERATING

IMPORTANT SAFEGUARDS

When using this appliance, always exercise basic safety precautions, including the following:

- 1. Read all of the instructions before using this appliance.**
2. This appliance is not intended for use by persons (including children) with reduced physical, sensory or mental capabilities, or lack of experience and knowledge, unless they have been given supervision or instruction concerning use of the appliance by a person responsible for their safety.
3. Children should be supervised to ensure that they do not play with the appliance.
4. Use this appliance only for its intended purpose as described in this use and care guide.
5. This wine cellar must be properly installed in accordance with the installation instructions before it is used. See grounding instructions in the installation section.
6. Never unplug your wine cellar by pulling on the power cord. Always grasp the plug firmly and pull straight out from the outlet.
7. Unplug your wine cellar before cleaning or before making any repairs. **Note:** If for any reason this product requires service, we strongly recommend that a certified technician performs the service.
8. The SUPPLY CORD cannot be replaced. If the cord is damaged the appliance should be scrapped.
9. This appliance is designed for free standing installation or can be recessed into cabinetry.
10. If your old wine cellar is not being used, we recommend that you remove the door and leave the shelves in place. This will reduce possibility of danger to children.
11. Do not operate your wine cellar in the presence of explosive fumes.
12. Do not store foods in wine cellar as interior temperature may not be cool enough to prevent spoilage or may cause bacteria growth.



SAVE THESE INSTRUCTIONS

DANGER

Risk of child entrapment!

Before you throw away your old wine cellar, take off the doors.

Leave the shelves in place so that children may not easily climb inside.

Thank you for using our Wine Enthusiast product. This easy-to-use manual will guide you in getting the best use of your wine cellar.

Please remember to record the model and serial number, they are on a label inside of the wine cellar.

Model number

Serial number

Date of purchase

Staple your receipt to your manual.

You will need the receipt to obtain warranty service.



Table of Contents

| | |
|---|----|
| IMPORTANT SAFEGUARDS | 2 |
| Wine Cellar Features and Use | 6 |
| Initial Setup | 6 |
| Temperature Adjustment..... | 6 |
| Shelving..... | 6 |
| Parts and Features | 7 |
| Installation of the Front Grill | 7 |
| Installation as a Built-In Cellar | 8 |
| Operating Your Wine Cellar..... | 8 |
| Setting the Temperature Control | 10 |
| Removing the Rolling Shelf..... | 10 |
| Temperature Settings for Serving Wine..... | 11 |
| Interior Light..... | 11 |
| Door Lock..... | 11 |
| Temperature Alarm..... | 11 |
| Normal Operating Sounds You May Hear | 12 |
| Technical Data..... | 12 |
| Proper Wine Cellar Care and Cleaning | 13 |
| Troubleshooting..... | 14 |
| Limited Warranty | 16 |



Electrical Requirement

- Make sure there is a suitable power outlet (115 volts, 15 amps outlet) with proper grounding to power the wine cellar.
- Avoid the use of three plug adapters or cutting off the third grounding in order to accommodate a two plug outlet. This is a dangerous practice since it provides no effective grounding for the wine cellar and may result in shock hazard.

Install Limitations

- Do not install your wine cellar in any location not properly insulated or heated e.g. garage etc. Your wine cellar was not designed to operate in temperature settings below 50° Fahrenheit.
- Select a suitable location for the wine cellar on a hard even surface away from direct sunlight or heat source e.g. radiators, baseboard heaters, cooking appliances etc. Any floor unevenness should be corrected with the leveling legs located on the front and rear bottom corners of the wine cellar.
- This appliance is designed for free standing installation or can be recessed into cabinetry.

Use of Extension Cords

- Avoid the use of an extension cord because of potential safety hazards under certain conditions. If it is necessary to use an extension cord, use only a 3-wire extension cord that has a 3-blade grounding plug and a 3-slot outlet that will accept the plug. The marked rating of the extension cord must be equal to or greater than the electrical rating of the appliance.



Wine Cellar Features and Use

Initial Setup

- Before connecting the wine cellar to the power source, let it stand upright for approximately **24 hours**. This will reduce the possibility of a malfunction in the cooling system from handling during transportation.
- Once you have plugged the unit into an electrical outlet, let the unit run for at least 30 minutes to acclimate before making any adjustments.

Temperature Adjustment

- When the wine cellar is plugged in for the first time, the LED display will show the factory preset temperature.
- The wine cellar can be set to any temperature between 41° and 68°F to accommodate your wine storage requirements. See page 9 for programming instructions.

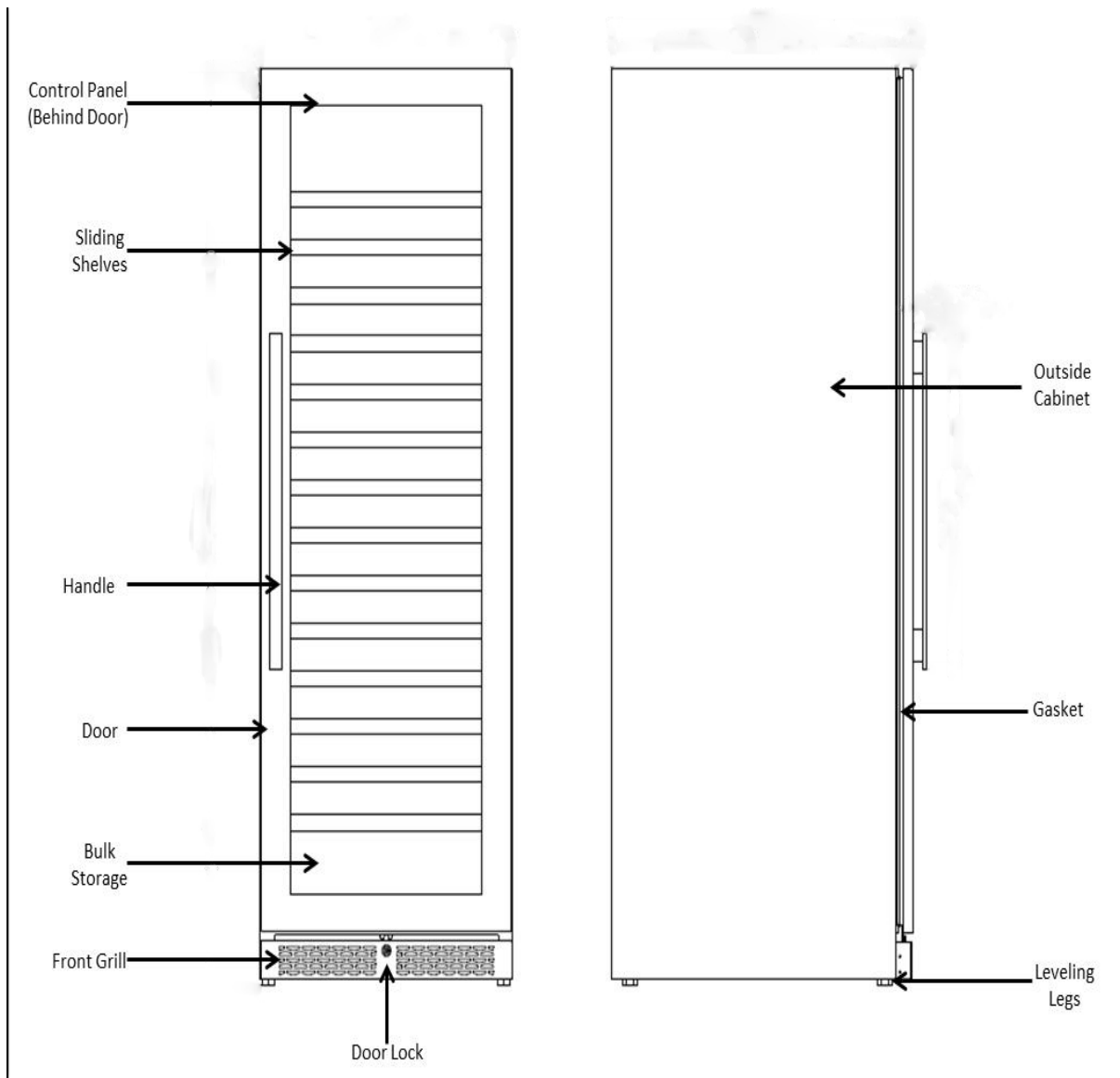
Shelving

Your cabinet was designed to store a maximum number of bottles securely. Patented VinoView shelving (U.S. Design Patent# D826,995) proudly presents your favorite bottles label forward, with additional bottles behind to enhance storage capacity. We recommend that you observe the tips below to optimize loading:

- Remove tape from shelves once unit is stable and ready for storage.
- Disperse the bottles evenly to avoid concentrating weight in one place. Bottles must not touch either the back of the cabinet or the step at the bottom. While your wine cellar was designed to hold large format bottles, such as Pinot Noir and Champagne, larger bottles reduce the number of bottles you can fit on a shelf.
- Make sure that the bottles are not all grouped together either at the top or bottom of the cabinet.
- Only pull out one rolling shelf at a time. Never attempt to pull out more than one.
- **Maximum weight capacity per shelf is 55 lbs.**



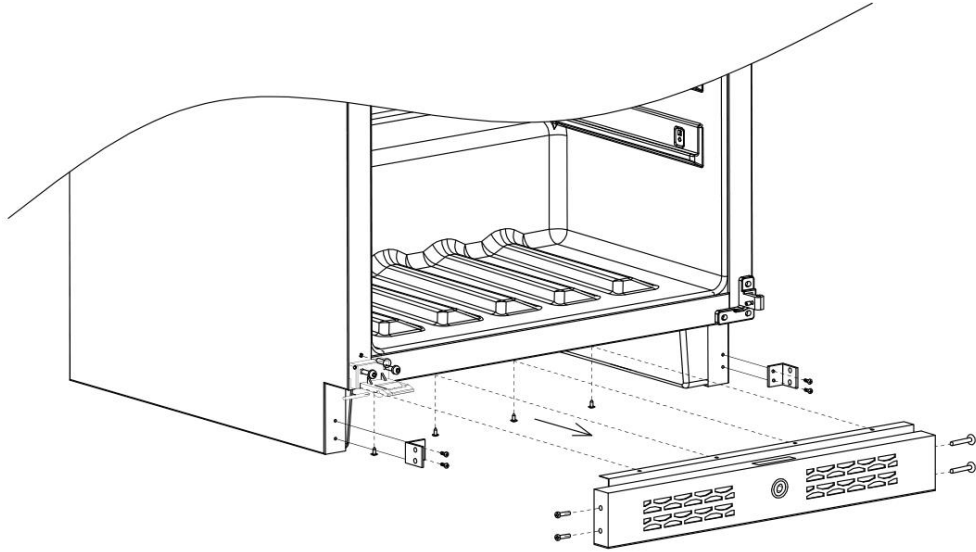
Parts and Features



Installation of the Front Grill

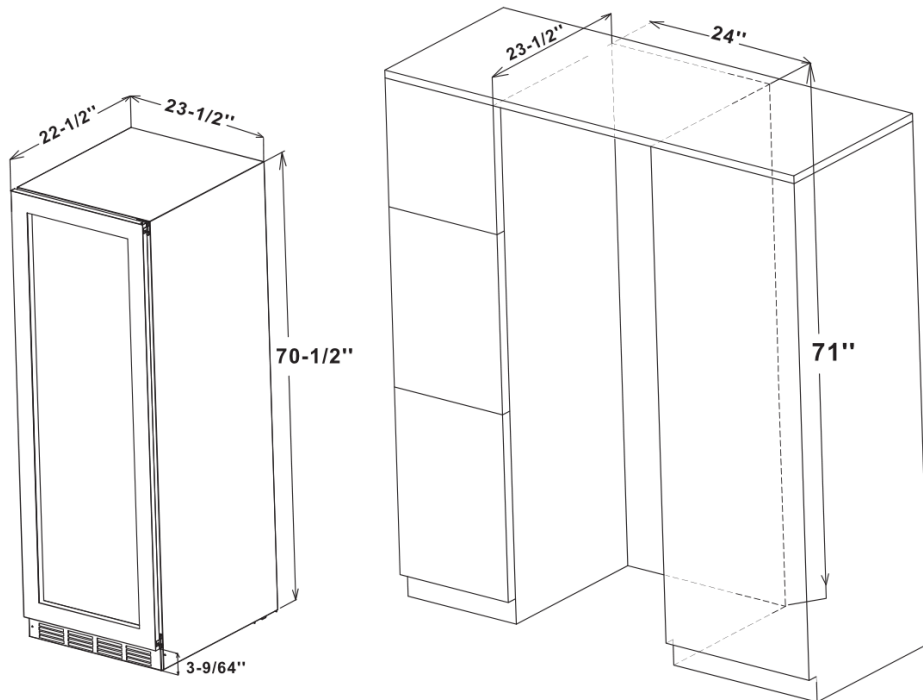
The wine cellar is shipped without the bottom grill installed to avoid damage during transit. The grill is attached to one of the shelves inside the unit. To install the grill, use the 12 provided screws and attach it to the bottom of the cabinet. Two screws go on each side of the grill as shown below.





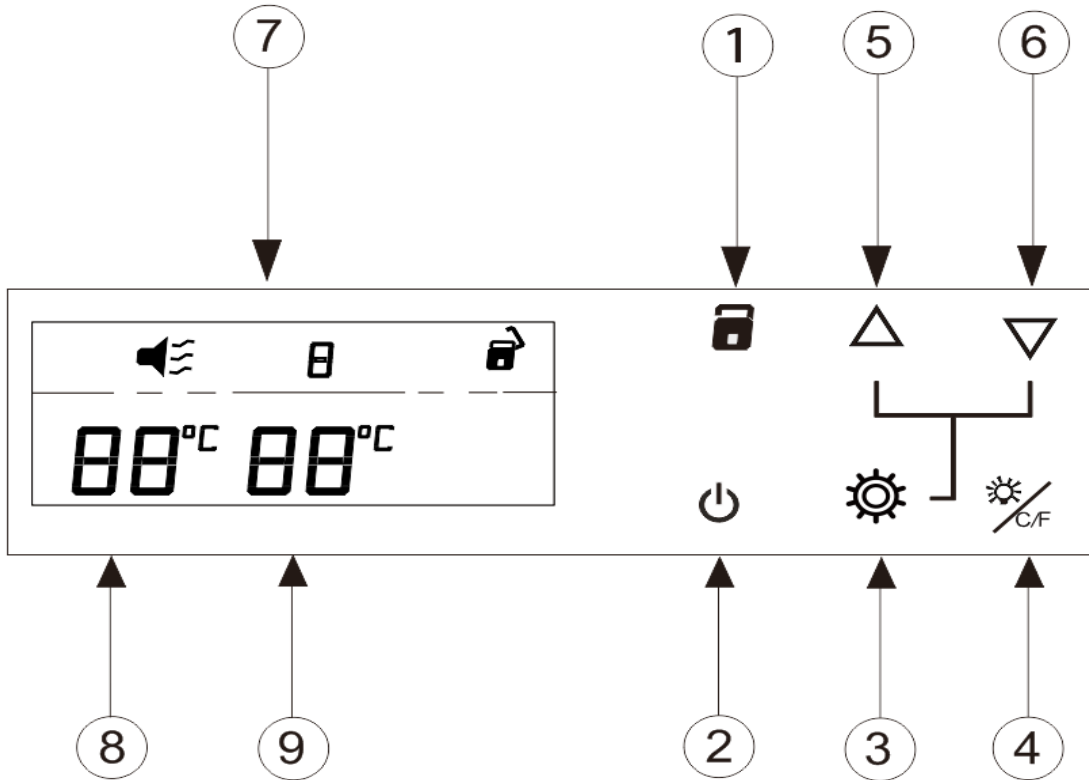
Installation as a Built-In Cellar

These cut out dimensions show the minimum space required for your wine cellar to perform as designed. You can remove the leveling legs on the bottom to reduce its height by 1/2". You must use shims to level the unit if you remove the leveling legs.



Operating Your Wine Cellar

Each wine cellar includes an operating panel on the front of the unit. This operating panel includes several features to operate and control the temperature.



1. **Press and hold for 3 seconds** to unlock the display.
2. **Press and hold for 1 second** to turn the Power ON or 3 seconds for OFF.
3. Function button: Activates the temperature set function
4. Light button; Turns the interior lights ON and OFF.
Press and hold for 3 seconds to toggle the display between Fahrenheit and Celsius
5. Increases set temperature
6. Decreases set temperature
7. Display window
8. Displays the setting temperature
9. Displays the actual temperature



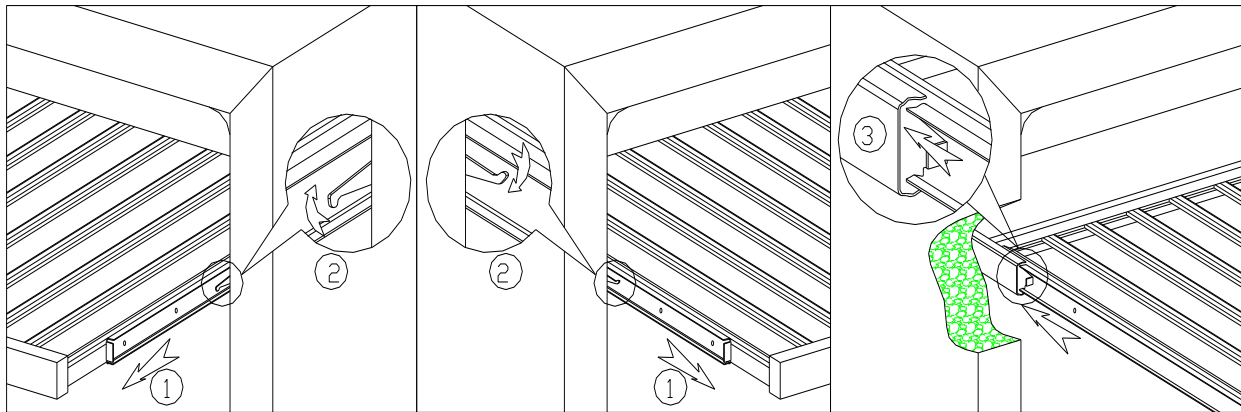
Setting the Temperature Control

1. Make sure power cord is connected to a properly grounded outlet.
2. Press and hold the POWER button for 1 second to turn the power ON.
3. Press and hold the LOCK button for 3 seconds to unlock the display.
3. Press the FUNCTION button to activate the temperature display.
3. Set the desired temperature by pushing the UP or DOWN buttons.
4. Temperatures increase or decrease 1°F with each push of the UP or DOWN button.
5. NOTE: Temperatures may fluctuate depending on whether the interior light is ON or OFF and depending on the position of the bottles.

Removing the Rolling Shelf

To remove a rolling shelf:

1. Remove all bottles.
2. Pull the shelf out as far as it will go.
3. Push the left side lever (2) downward while pushing the right side lever (2) upwards (as illustrated below).
4. Pull the shelf towards you to completely release from wine cellar.



To replace a rolling shelf:

1. Align the shelf guides (1) with the guide rails (3) (as illustrated below).
2. Gently slide the drawer into the wine cellar.



Temperature Settings for Serving Wine

Although optimal storage temperature is generally regarded to be 53-57°F, different varietals of wine require different service temperature settings. The recommended temperature ranges for serving different varietals of wine are listed below. Your wine cellar will indicate when you have set the Upper/Lower zones to the below temperature ranges.

| | |
|-----------------|---------|
| Red Wines: | 60-66°F |
| White Wines | 45-52°F |
| Sparkling Wines | 40-45°F |

Interior Light

- To complement the look of your wine collection, LED lighting has been built into the wine cellar. Simply push the LIGHT button on the control panel and the lights comes on, push again for off. For maximum energy efficiency, leave light off when not viewing your collection.

Door Lock

- This unit comes with key lock.
- The keys are located inside the plastic bag along with the user manual. To unlock the door, insert the key into the lock and turn counter clockwise.
- To lock the door, simply reverse the operation making sure the metal pin is engaged completely.
- Then remove the key and place it in a secure place for safekeeping.

Temperature Alarm

This unit comes with an audio temperature alarm. If the internal temperature drops below 32°F or above 73°F an alarm will sound.

- If the temperature is too high/warm check to be sure if there is power in the AC outlet, by checking the circuit breaker.
- If the power is too low, unplug the unit, wait 15 minutes then re-plug the unit back in.



Normal Operating Sounds You May Hear

- Boiling water, gurgling sounds or slight vibrations that are the result of the refrigerant circulating through the cooling coils.
- The thermostat control will click when it cycles on and off.

Technical Data

| | |
|----------------------------------|--------------------------------------|
| Total Volume | 11.5 Cu. Ft. |
| Installation | Free-Standing or Built-In |
| Power | 115V~60Hz |
| Current | 1.9A |
| Protection Class | I |
| Climate Class | N/ST/T/ST |
| Start-Up Amps | <5A |
| Running Amps | 1.6A |
| Ambient Temperature | 50° - 109°F |
| Refrigerant | R600a – 1.58 Oz. |
| Temperature Control Range | 41° - 68°F |
| Approx. Net Weight | 204 Lbs. |
| Dimensions (W x D x H) | 23-7/16" x 22-7/16" x 70-1/2" |



Proper Wine Cellar Care and Cleaning

Cleaning and Maintenance

Warning: To avoid electric shock always unplug your wine cellar before cleaning. Ignoring this warning may result in death or injury.

Caution: Before using cleaning products, always read and follow manufacturer's instructions and warnings to avoid personal injury or product damage.

General:

- Prepare a cleaning solution of 3-4 tablespoons of baking soda mixed with warm water. Use sponge or soft cloth, dampened with the cleaning solution, to wipe down your wine cellar.
- Rinse with clean warm water and dry with a soft cloth.
- Do not use harsh chemicals, abrasives, ammonia, chlorine bleach, concentrated detergents, solvents or metal scouring pads. Some of these chemicals may dissolve, damage and/or discolor your wine cellar.

Mold on the interior

Microscopic mold spores are naturally occurring and present in the ambient air. When mold gets in your wine cellar it may grow within the humid environment. Removal can be completed with mild solutions of commonly available products such as Borax, vinegar, or baking soda.

Door Gaskets:

- Clean door gaskets every three months according to general instructions. Gaskets must be kept clean and pliable to assure a proper seal.
- Petroleum jelly applied lightly on the hinge side of gaskets will keep the gasket pliable and assure a good seal.



Power Interruptions

- Occasionally there may be power interruptions due to thunderstorms or other causes. Remove the power cord from AC outlet when a power outage occurs. When power has been restored, **wait 3 to 5 minutes** then re-plug the power cord to AC outlet.

Vacation and Moving Care

- For long vacations or absences, unplug the wine cellar and clean the wine cellar and door gaskets according to "General cleaning" section. Leave doors open, so air can circulate inside.
- When moving always move the wine cellar vertically. Do not move with the unit lying down, as possible damage to the sealed system could occur.

Note: After moving, wait for 24 hours before plugging in the wine cellar.

Troubleshooting

Many common issues with your wine cellar can be easily solved. Try the troubleshooting tips below if you experience any problems.

Wine Cellar Does Not Operate:

- Check if wine cellar is plugged in.
- Check if there is power in the AC outlet, by checking the circuit breaker.

Wine appears too warm:

- Frequent door openings.
- Allow time for recently added wine to reach desired temperature.
- Check gaskets for proper seal.
- Clean condenser coils.
- Adjust temperature control to colder setting.



Wine temperature is too cold:

- If temperature control setting is too cold, adjust to a warmer setting.

Wine cellar runs too frequently:

- This may be normal to maintain constant temperature during high temperature and humid days.
- Doors may have been opened frequently or for an extended period of time.
- Clean condenser coils.
- Check gasket for proper seal.
- Check to see if doors are completely closed.

Moisture build-up on interior or exterior of the wine cellar:

- This is normal during high humidity periods.
- Prolonged or frequent door openings.
- Check door gaskets for proper seal.

Wine cellar door does not shut properly:

- Level the wine cellar.
- Check for blockages e.g. wine bottles, shelves.



Limited Warranty

This Warranty Covers Appliances Within The Continental United States Only.

Length of Warranty: This Limited Warranty lasts for one (1) year from date of receipt of purchase of the wine cellar ("Limited Warranty Period") and the sealed system (compressor, condenser, evaporator) will be covered for three (3) years. Extended warranties may be available for an additional cost at the time of purchase or up to 30 days from date of purchase. These extended warranties would extend this one (1) year limited warranty to two (2), three (3), or five (5) years. Details about our extended protection plans can be found @ wineenthusiast.com.

Who is Protected: This Limited Warranty protects the original purchaser during the Limited Warranty Period, provided that such purchaser can present appropriate proof of original purchase.

What is Covered: This Limited Warranty covers any defects in workmanship or materials in your new wine cellar under normal use.

What is Not Covered: The following are not covered by this Limited Warranty damage due to such things as accident, misuse, abuse, mishandling, neglect, unauthorized repair, failure to properly maintain, acts of God or any other cause beyond the reasonable control of the Wine Enthusiast whether similar or dissimilar to the foregoing.

Commercial use or use other than normal household or small office.

Purchaser understands and acknowledges that the wine cellar is a wine refrigerator, which houses wine. Purchaser assumes all the risk of using these units, including risk of spoilage, humidity variations, temperature variations, leaks, fires, water damage, mold, mildew, dryness and similar perils that may occur.

What We Will Do: During the Limited Warranty Period, Wine Enthusiast and/or the manufacturer will, at its sole discretion, repair or replace any wine cellar not operating within the manufacturer's specifications. All costs for labor and materials thereto shall be covered during the Limited Warranty Period. If Wine Enthusiast deems the wine cellar is not repairable, Wine Enthusiast will use the value of your original order toward a replacement; provided, however, that the purchaser will be responsible for all shipping and handling costs with respect to the replacement after the initial ninety (90) days after the date of receipt of original purchase. **After the initial ninety (90)**



day period after the date of receipt of purchase, purchaser must pay any shipping and handling charges that are incurred in shipping or transporting the wine cellar for service under this Limited Warranty. Wine Enthusiast reserves the right to substitute materials of substantially similar quality in the event that identical materials are not available at the time the Limited Warranty services are performed. Wine Enthusiast reserves the right to request that purchaser contact a local refrigeration company to service the wine cellar.

How to get Warranty Service: In the event your wine cellar is not operating within the manufacturer's specifications, during the Warranty Period, contact customer service by email at custserv@WineEnthusiast.net or by phone 800.648.6058.

Limitation of Implied Warranties: All implied warranties, including warranties of merchantability and fitness for a particular purpose, are limited in duration to the length of this Limited Warranty.

Exclusion of Certain Damages: Wine Enthusiast's liability is limited to replacement or repair of the defective wine cellar. Wine Enthusiast shall not be liable for any damages, whether incidental, consequential or otherwise, because of any defective wine cellar.

How State Law Applies: Some states do not allow limitations on how long an implied warranty lasts and/or do not allow the exclusion of incidental or consequential damages, so the above limitations and exclusions may not apply to you. The Limited Warranty gives you specific legal rights, and you may also have other rights which vary from state to state.

Wine Enthusiast
Valhalla, NY 10595

